



Intellectual
Property
Office

Certificate of Registration for a UK Design

Design number: 6464218

Grant date: 18 August 2025

Registration date: 10 August 2025

This is to certify that,

in pursuance of and subject to the provision of Registered Designs Act 1949, the design of which a representation or specimen is attached, had been registered as of the date of registration shown above in the name of

Dr. Bagavathi Lakshmi Ramarajan, Mahalakshmi Santhanakrishnan, Dr.

Raghavendran Venkatesan, Sharon Philip Michael, Dr.Rani Sivakumar, Dr.

Sangeetha Radhakrishnan, Dr. Thirumalaikumari Thirumalai, Dr. Ramesh

Latchathipathy, Janani Shanmugam, Vedavalli Subramanian

in respect of the application of such design to:

DISPLAY SCREEN WITH GRAPHICAL USER INTERFACE FOR AI MODEL

TRAINING VISUALIZATION

International Design Classification:

Version: 15-2025

Class: 14 RECORDING, TELECOMMUNICATION OR DATA PROCESSING
EQUIPMENT

Subclass: 02 DATA PROCESSING EQUIPMENT AS WELL AS PERIPHERAL
APPARATUS AND DEVICES

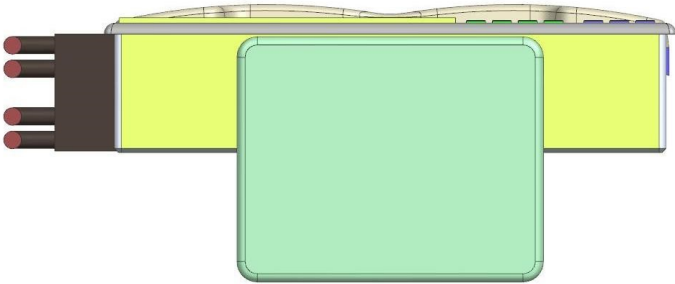
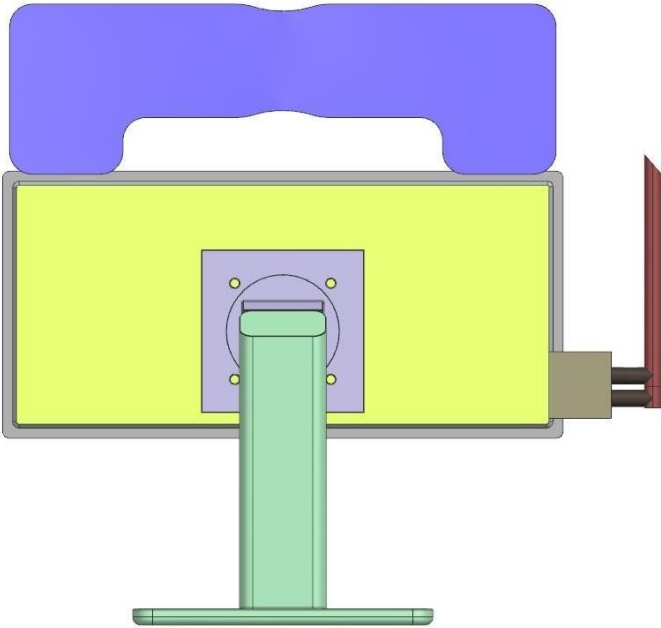
Adam Williams

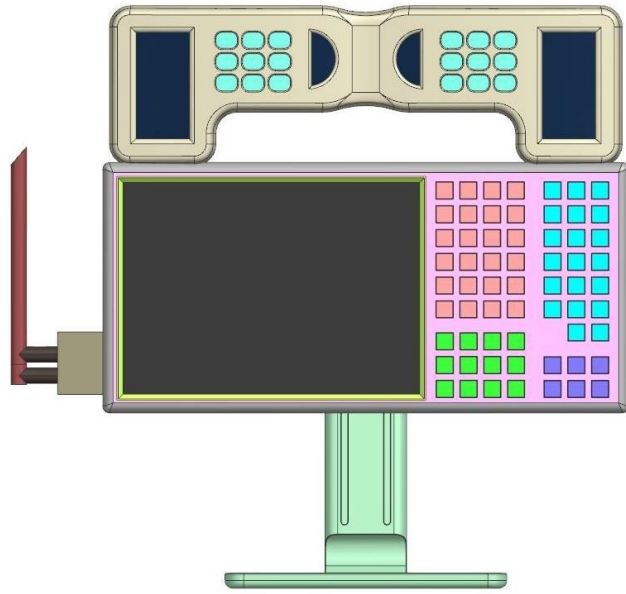
Comptroller-General of Patents, Designs and Trade Marks
Intellectual Property Office

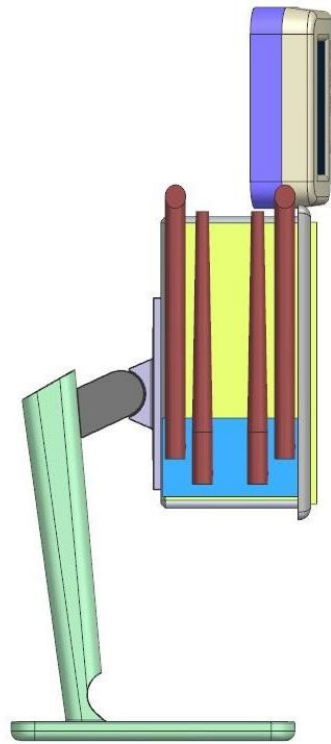
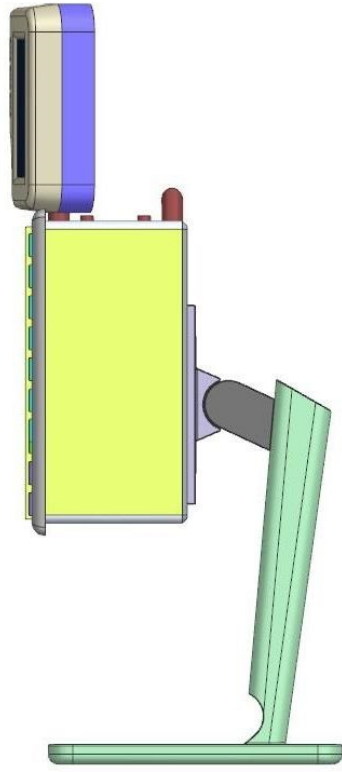
The attention of the Proprietor(s) is drawn to the important notes overleaf.

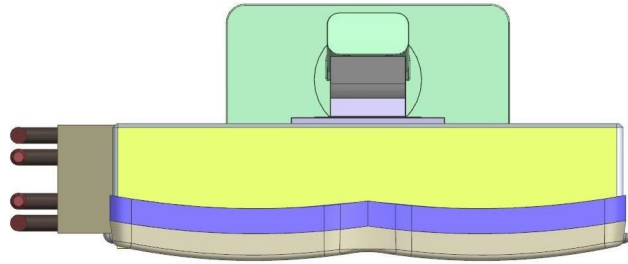


Representation of Designs









Intellectual Property Office is an operating name of the Patent Office

www.gov.uk/ipo